

# 2 CORINTHIANS

---

CHAPTER 13

# FINAL WARNINGS

---

- 2 Corinthians 12:20
  - **For I am afraid** that when I come, I may not find you as I want you to be, and you may not find me as you want me to be. I fear that there may be quarrelling, jealousy, outbursts of anger, factions, slander, gossip, arrogance and disorder.

# FINAL WARNINGS

---

- 2 Corinthians 12:21
  - **I am afraid** that when I come again my God will humble me before you, and I will be grieved over many who have sinned earlier and have not repented of the impurity, sexual sin and debauchery in which they have indulged.

# FINAL WARNINGS

---

- 2 Corinthians 8:7
  - But just as you excel in everything – in faith, in speech, in knowledge, in complete earnestness and in you love for us – see that you also excel in this grace of giving..

# EXAMINE OURSELVES

---

- 1 Corinthians 11:28
  - A man ought to **examine himself** before he eats of the bread and drinks of the cup.

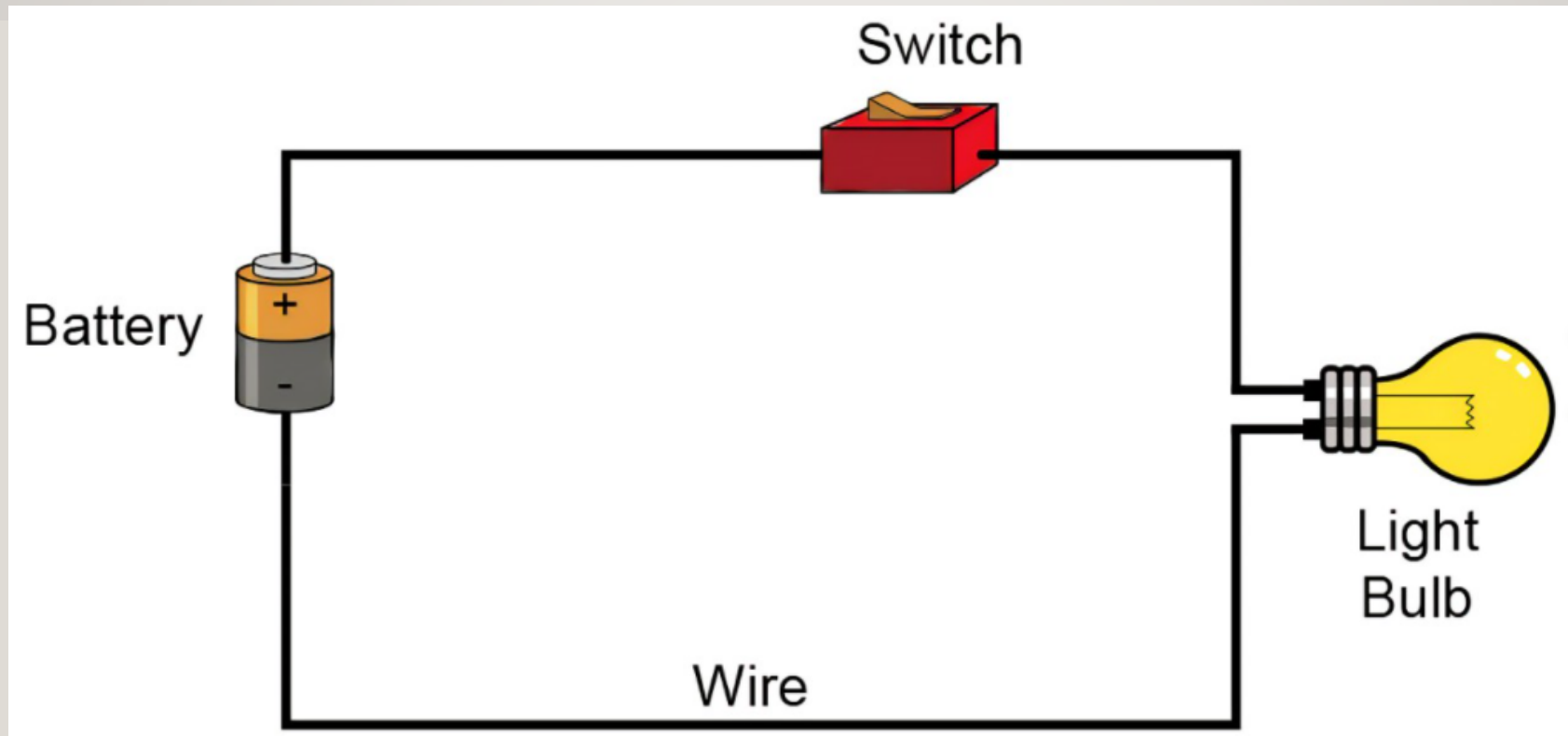
# EXAMINE OURSELVES

---

- John 13:8
  - No, said Peter, you shall never wash my feet. Jesus answered, Unless I wash you, you have no part with me.

# EXAMINE YOURSELVES - A SIMPLE CIRCUIT

---



# I'M CONNECTED

---

- 2 Corinthians 5:17 – If any man is **In Christ**, he is a new creation the old has gone, the new has come.
- Galatians 2:20. I am crucified with Christ and I no longer live, **but Christ lives in me**. The life that I live in the body, I live by the faith in the Son of God, who loves me and gave himself for me.



# I'M CONNECTED

---

- **I in CHRIST and CHRIST in ME...**
  - that's the promise and reality of these verses. - **I'm Connected.**